

STM Cisco WebEx Board 55" | Board Pro 55" display-specific, mobile stand system

Item no.: 5843

The STM Cisco WebEx Board 55" | Board Pro 55" is a mobile stand system specifically designed for the Cisco WebEx Board 55" and Cisco WebEx Board Pro 55".

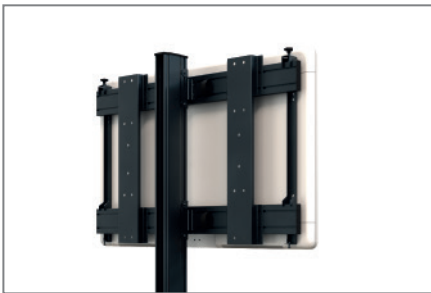
The hole pattern of the mobile stand system has been designed and optimised specifically for Cisco collaboration room systems.

Locking screws on the screen mounts secure the screen against unhooking and falling down.

Cabling is organised and held together by cable clips along the rails and column.

The surfaces of the STM Cisco WebEx Board 55" | Board Pro 55" are finished with a solvent-free, impact- and scratch-resistant powder coating in black.

The maximum load capacity is 50 kg.



Cable routing along the rails



Castors with locking brake



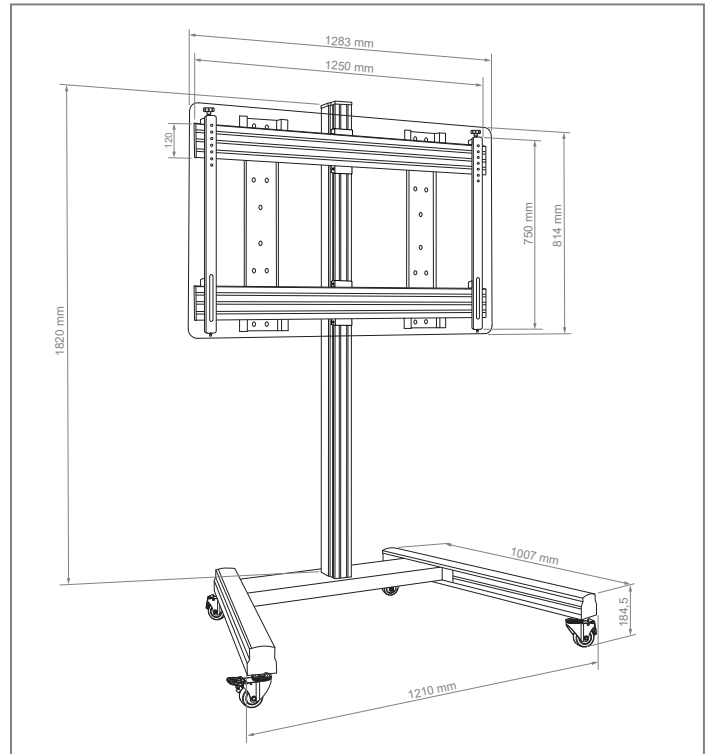
Stable construction



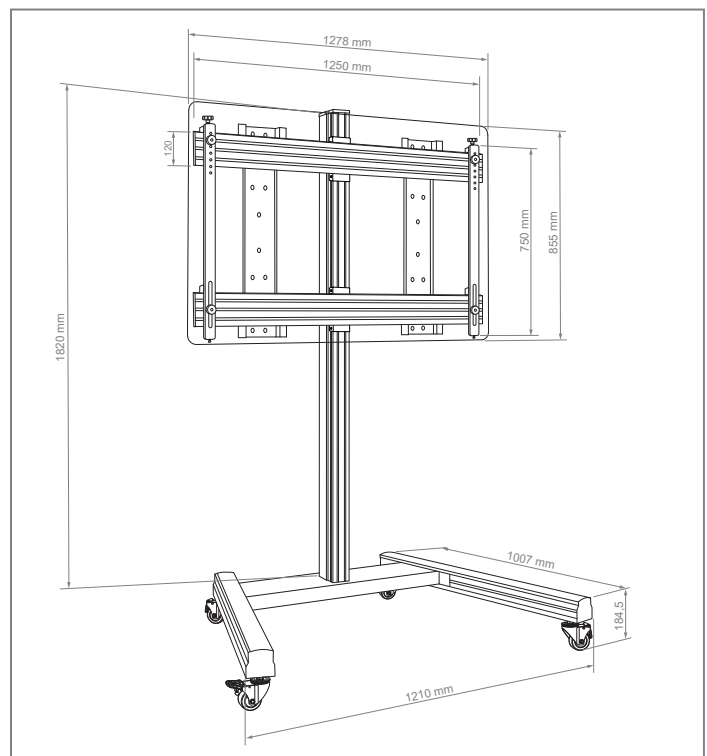
STM Cisco WebEx Board 55" | Board Pro 55" display-specific, mobile stand system

Item no.: 5843

- mobile stand system
- Display-specific for collaboration room systems
 - Cisco WebEx Board 55"
 - Cisco WebEx Board Pro 55"
- Hole pattern optimised for Cisco WebEx Board 55" and Cisco WebEx Board Pro 55"
- Dimensions ST Cisco WebEx Board 55":
H 2005 x W 1250 x D 1007 mm
- Dimensions ST Cisco WebEx Board Pro 55":
H 2005 x W 1250 x D 1007 mm
- Cable routing by cable clips
- Locking screws - secures the screen against unhooking and falling down
- 50 kg max. load
- Colour: black
- Space-saving
- Solvent-free, impact- and scratch-resistant powder coating



STM Cisco WebEx Board 55"



STM Cisco WebEx Board Pro 55"